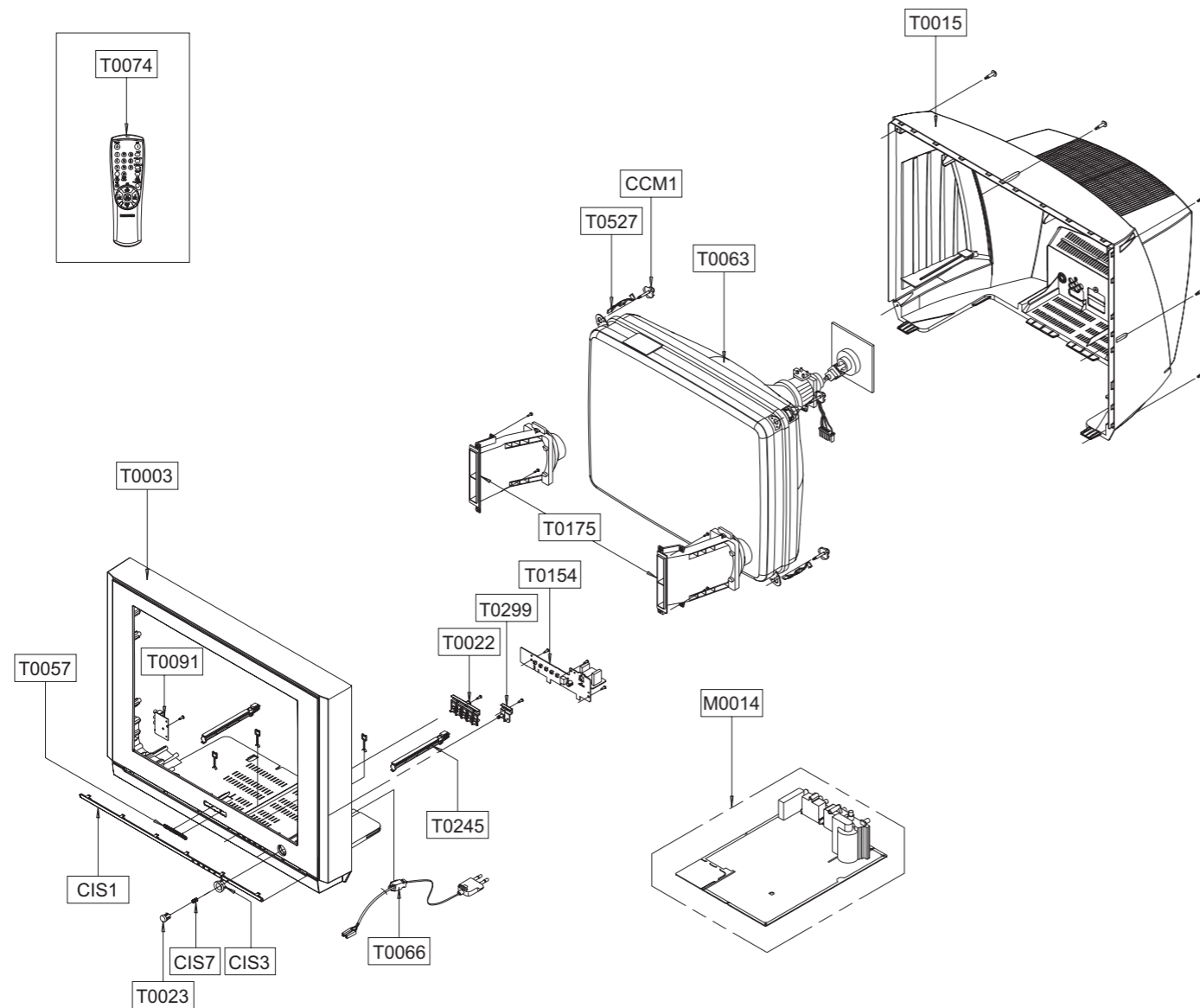


3. Exploded View & Parts List

3-1 CS29M6PQVX/TAW

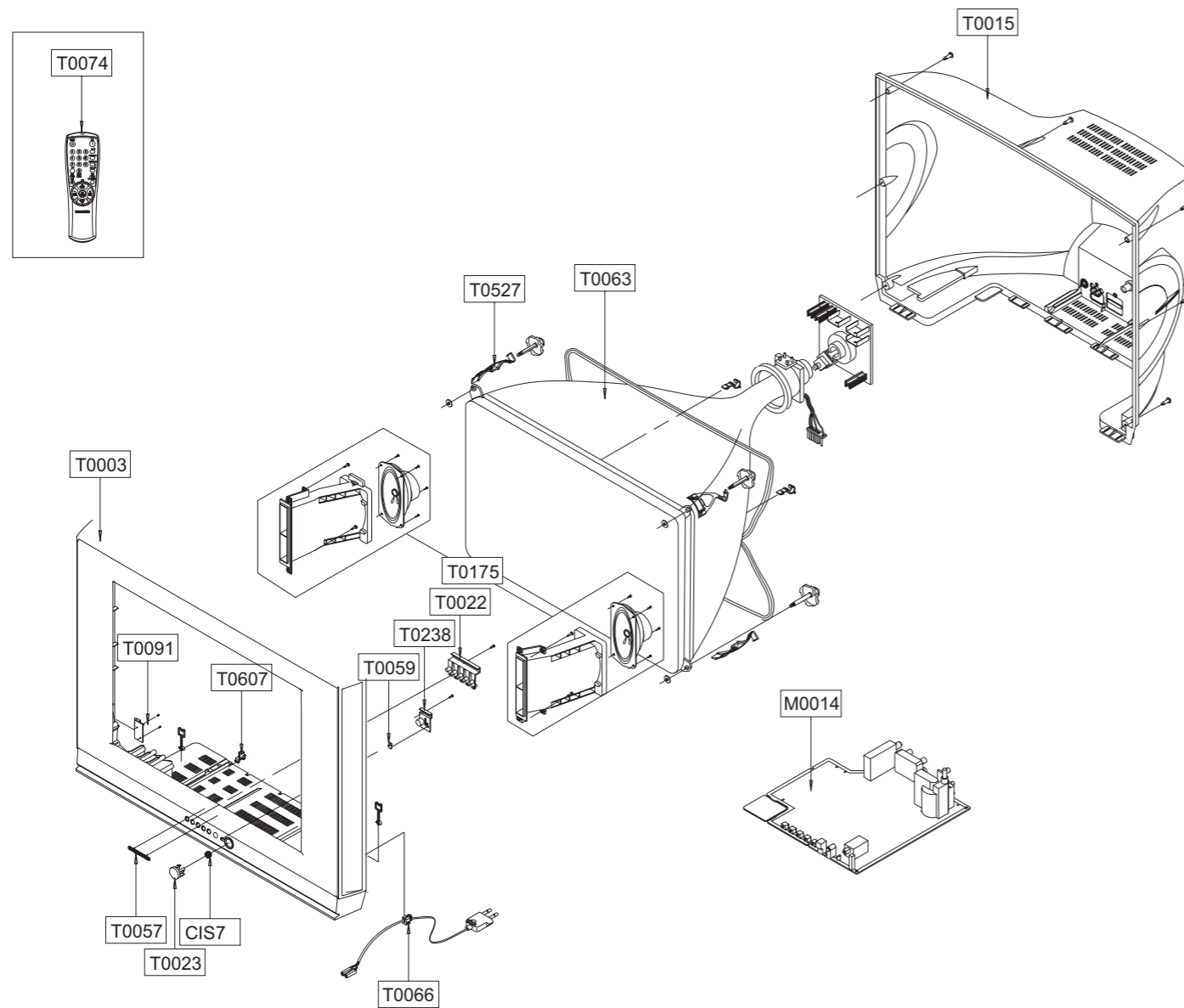
You can search for the updated part code through ITSELF web site.
 URL : <http://itself.sec.samsung.co.kr>



No.	Code No	Description;Specification	Q'ty	S.N.A
T0015	AA64-02099C	CABINET-BACK;29M6,HIPS,HB,G4309	1	
CCM1	AA60-10050V	SCREW-MACHINE;- ,SWRCH18A,M6,L30,HH,+ ,WC,	4	S.N.A
T0010	AA91-00507A	ASSY HOLDER SPK;- ,8OHM/15W,- ,ASSY HOLD	1	
T0245	AA61-00711D	HOLDER-PCB;29U1,U2,HIPS VO,BK502(HB-PROP	2	S.N.A
CIS7	AA61-60003J	SPRING ETC-CS;- ,SUS304,- ,OD6,N7,OD6,- ,	1	S.N.A
CIS1	AA63-00488B	COVER-CONTROL;29M6,ABS,HB,WHT,SVM6145+CL	1	S.N.A
T0023	AA64-02100B	KNOB POWER;25M6,29M6,ABS,HB,G3676,IVN-11	1	S.N.A
T0022	AA64-02102B	KNOB CONTROL;25M6,29M6,ABS,HB,G3676,SV10	1	S.N.A
T0299	AA64-02103B	WINDOW-RMC,LED;25M6,29M6,ACRYL,HB,CLEAR	1	S.N.A
CIS3	AA64-02104B	DECORATION-POWER;25M6,29M6,ABS,HB,WHT,SV	1	S.N.A
T0003	AA64-04089C	CABINET FRONT;29M6,ET,M-EAST,HIPS,HB,G43	1	S.N.A
T0057	AA64-70117B	BADGE-BRAND;,AL,T1.5,10.6,L65,BLK,SILVER	1	S.N.A
T0063	AA03-00395A	CRT COLOR;A68QCP693X500,380MG,1.1MH,14.9	1	
T0527	AA61-01373A	HOLDER-D COIL;29K5,NYLON 66	4	S.N.A
M0014	AA94-13998A	ASSY PCB MAIN;CS29M6PQVX/SAP,KS7A,ET	1	
T0091	AA95-03257A	ASSY SUB PCB-A/V SIDE;CT-29K12P,A/V SIDE	1	
T0154	AA95-01752B	ASSY SUB-PCB CONTROL;29M6,KS3A,AA95-0140	1	
T0074	AA59-00326E	REMOCON;CS29M6PF,TM76,43,G6148,PAL,ET/KS	1	
T0066	AA96-20109C	ASSY POWER CORD;- ,CP2/NO(4.0),H/C300,KKP	1	S.N.A

3-2 CS29K3MHUX/HAC

You can search for the updated part code through ITSELF web site.
 URL : <http://itself.sec.samsung.co.kr>



No.	Code No	Description;Specification	Q'ty	S.N.A
CIS7	AA61-60003J	SPRING ETC-CS;-;SUS304,-,-,OD6,N7,OD6,-,	1	S.N.A
M0014	AA94-14408A	ASSY PCB MAIN;CS29K10MHUXSMA,KS7A,GOLDRU	1	
T0003	AA64-01432Z	CABINET FRONT;29K3,HIPS,HB,G4309,SV012P	1	S.N.A
T0015	AA64-01433P	CABINET BACK;29K3 NEW,HIPS,HB,G4309	1	
T0022	AA64-01437F	KNOB CONTROL;21,29K3,ABS,HB,G3676,SVM301	1	S.N.A
T0023	AA64-01434F	KNOB POWER;29K3,ABS,HB,G3676,SVM3012 NO-	1	S.N.A
T0057	AA64-70117B	BADGE-BRAND;AL,T1.5,10.6,L65,BLK,SILVER	1	S.N.A
T0059	AA64-01436B	INDICATOR LED;29K3,ACRYL,-,CLR,-,-,-	1	S.N.A
T0063	AA03-00395A	CRT COLOR;A68QCP693X500,380MG,1.1MH,14.9	1	
T0268	AA39-10006X	CBF-POWER CORD;-;KKP419C,KLCE-2F,2.286MT	1	
T0074	AA59-00312A	REMOCON;DEEP IMPACT,TM75,36,TTX,EX,PAL	1	
T0091	AA94-14077C	ASSY PCB MISC-A/V SIDE;29M6,GOLDRUSH	1	S.N.A
T0175	AA96-01461A	ASSY SPEAKER P;8ohm,semidome,10W,10W Sem	1	S.N.A
T0238	AA64-01435B	WINDOW REMOCON;29K3,PC,-,-,-,V0,VIOLET,-	1	S.N.A
T0527	AA61-01373A	HOLDER-D COIL;29K5,NYLON 66	4	S.N.A
T0607	AA61-40113A	STOPPER-PCB;501H,HIPS,-,-,HB,NTR,-	1	S.N.A